

LED indoor light without sensor - Professional Line

# RS PRO P2 flat

Neutral white  
EAN 4007841 069759  
Article number 069759



LED

30 years (Ø 4,5h / day)



indoor light



connectable with master



IP54



energy saving



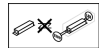
plastic free packaging

5 years

manufacturer's warranty steinel.de/  
garantie5y



Light source not exchangeable



Control gear not exchangeable

## Function description

Circular classic. Perfect shape. Perfect efficiency. The perfect indoor light as version without sensor. The RS PRO P2 flat integrates harmoniously into corridors, hallways and stairwells. It combines timeless design and extremely easy installation with pioneering technology and can be interconnected with the sensor version by cable. Output: 14,1 W with 1684 lm, 4000 K.

## Technical specifications

Dimensions (Ø x H)	322 x 68 mm	Lamp	LED cannot be replaced
With lamp	Yes, STEINEL LED system	Base	without
With motion detector	No	LED cooling system	Passive Thermo Control
Manufacturer's Warranty	5 years	Soft light start	Yes
Version	Neutral white	Main light adjustable	No
PU1, EAN	4007841069759	Interconnection via	Cable
Colour	white	Lifetime LED according to IEC-62717 (L70)	100.000 h
Installation site	wall, ceiling	Lifetime LED according to IEC-62717 (L80)	73.000 h
Installation	Ceiling	Lebensdauer LED nach IES TM-21 (L70)	>60.000 h
Impact resistance	IK03	Lifetime LED according to IES TM-21 (L80)	>60.000 h
IP-rating	IP54	Fuse protection B10	54
Protection class	II	Fuse protection B16	87
Ambient temperature	-10 – 40 °C	Fuse protection C10	90
Housing material	Plastic	Fuse protection C16	145
Cover material	Plastic, opal	Output	14,1 W
Mains power supply	220 – 240 V / 50 – 60 Hz		
Luminous flux total product	1684 lm		

<https://www.steinel.de>

Subject to technical modifications

07.2023 Page 1 from 2

# RS PRO P2 flat

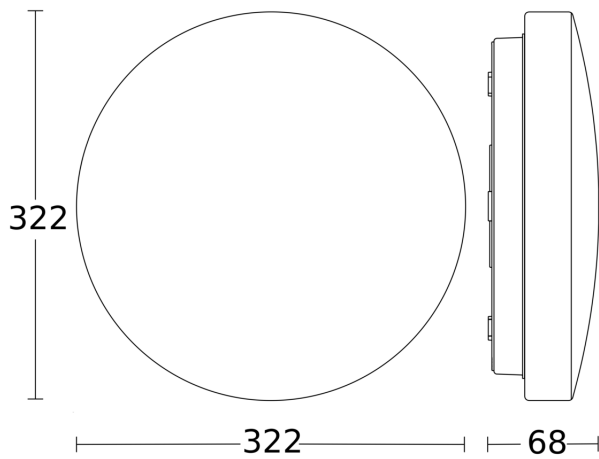
Neutral white  
EAN 4007841 069759  
Article number 069759

## Technical specifications

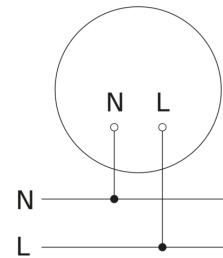
Total product efficiency	119 lm/W
Colour temperature	4000 K

Colour Rendering Index CRI	= 82
Photobiological safety in accordance with EN 62471	RG1
Starting current, maximum	13 A
IP-rating, ceiling	IP54

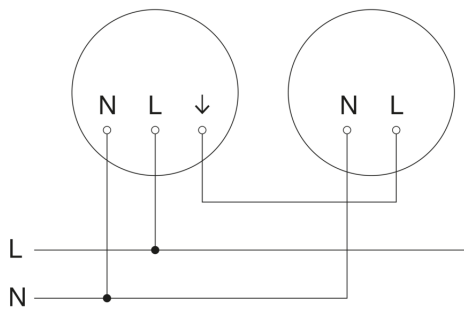
## Dimension Drawing



## Master circuit diagram



## Master/slave interconnection circuit diagram



## Master/slave interconnection circuit diagram

